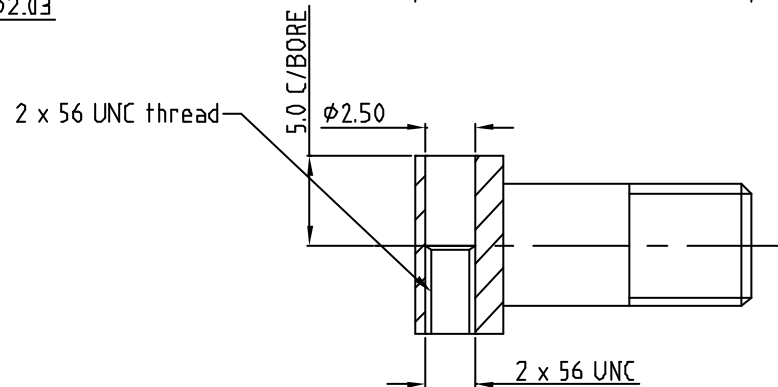
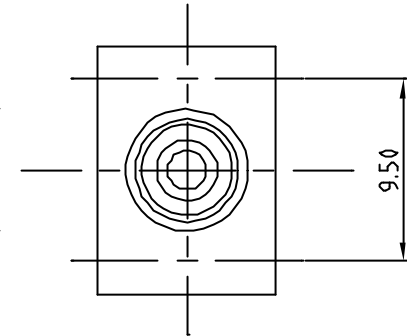
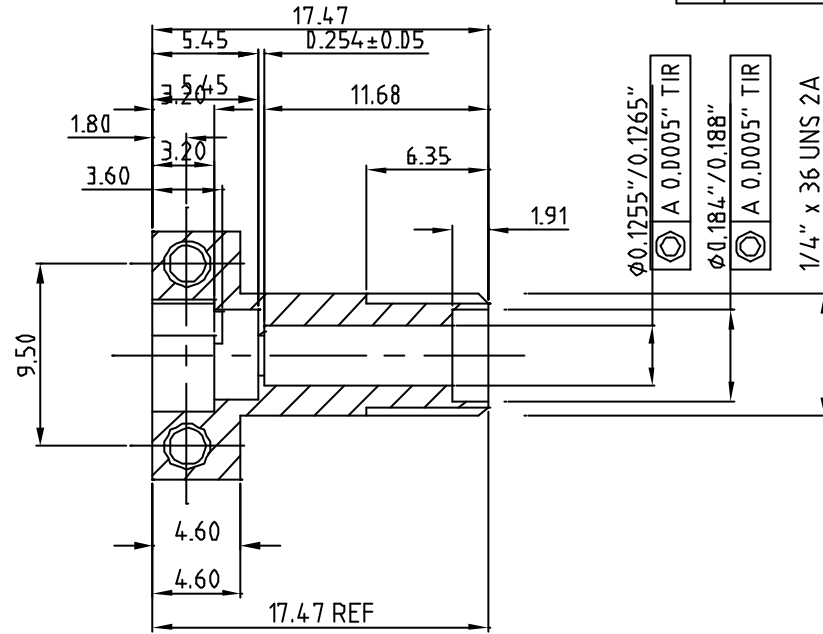
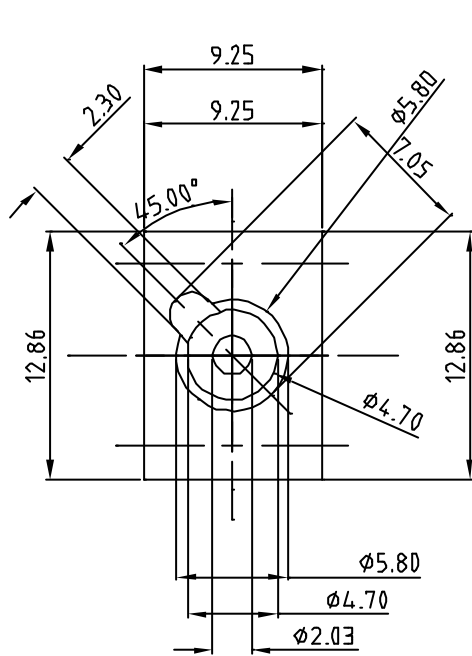


REV	DESCRIPTION	DATE	APPROVED
1	INITIAL ISSUE	221100	



$\phi 0.1255" / 0.1265"$   
 A 0.0005" TIR  
 $\phi 0.184" / 0.188"$   
 A 0.0005" TIR  
 1/4" x 36 UNS 2A

NOTES:

MATERIAL	NS 101	<small>THIS DOCUMENT CONTAINS PROPRIETARY INFORMATION WHICH SHALL NOT BE REPRODUCED, TRANSMITTED TO OTHER DEPARTMENTS, DISCLOSED TO OTHERS, USED FOR MARKETING OR ANY OTHER PURPOSES WITHOUT THE WRITTEN AUTHORIZATION OF EUROPLUS FIBRE OPTICS LTD.</small>
FINISH	BEAD BLAST	

DESCRIPTION	SMA ACTIVE DEVICE MOUNT T0-1B
-------------	-------------------------------

ALL DIMS IN MM UNLESS STATED		GENTOLS 0 = +/-0.5 0.0 = +/-0.3 0.00 = +/-0.1		EUROPLUS FIBRE OPTICS Unit 2, Deben Way, Melton, Woodbridge, Suffolk IP12 1RB Tel: (01394) 386111 Fax: (01394) 310572	
DRAWN	CDD	DATE	221100	SIZE	FILE NAME
CHKD	CDD	DATE	221100		1301002
DO NOT SCALE DRAWING		SCALE	4:1	DWG. No	FOA13 01 002
				REV.	1
				SHEET	1 of