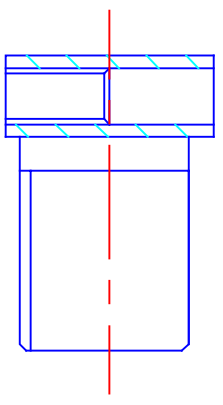
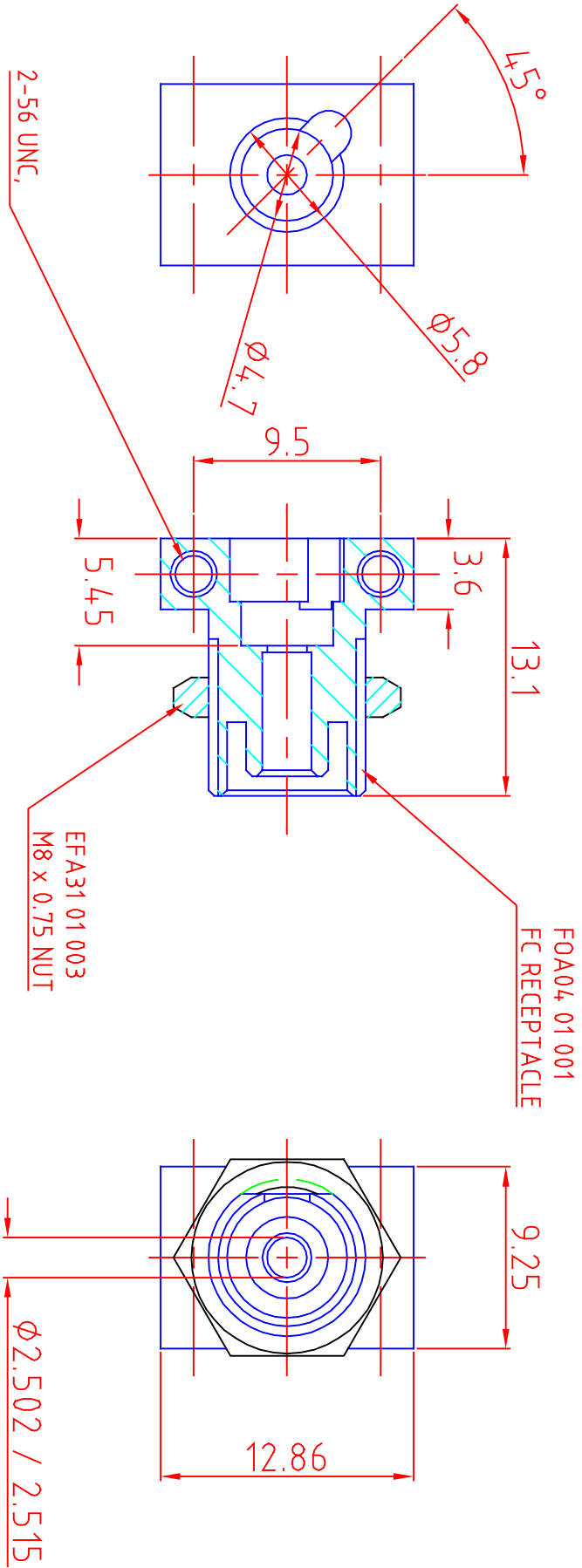




3rd ANG PROJECTION

REV	DESCRIPTION	DATE	APPROVED
1	INITIAL ISSUE	15/02/96	JWH



NOTES: SUPPLIED WITH FC DUST CAP

ALL DIMS IN MM UNLESS STATED

MATERIAL NS101 NICKEL SILVER
 FINISH CBGF
 ICE No:

GEN TOLS
0 = +/-0.5
0.0 = +/-0.3
0.00 = +/-0.1

EUROPLUS FIBRE OPTICS

Unit 2, Deben Way, Melton, Woodbridge, Suffolk IP12 1RB
 Tel: (01394) 386811 Fax: (01394) 380572

DESCRIPTION

FC BOARD & NOSE MOUNTED RECEPTACLE

THIS DOCUMENT CONTAINS PROPRIETARY INFORMATION WHICH SHALL NOT BE REPRODUCED, TRANSFERRED TO OTHER DOCUMENTS, DISCLOSED TO OTHERS USED FOR MANUFACTURING OR ANY OTHER PURPOSE WITHOUT THE WRITTEN AUTHORISATION OF EUROPLUS FIBRE OPTICS LTD

DRAWN CDD DATE 30/10/96
 CHKD CDD DATE 30/10/96
 DO NOT SCALE DRAWING

SIZE FILE NAME
 0401ASS

DWG. No FOA04 01 ASSY
 SHEET 1 of 1

REV. 1