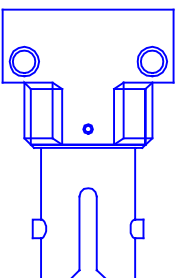
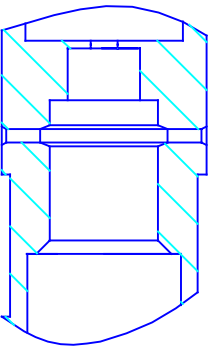
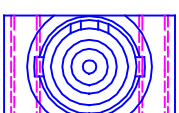
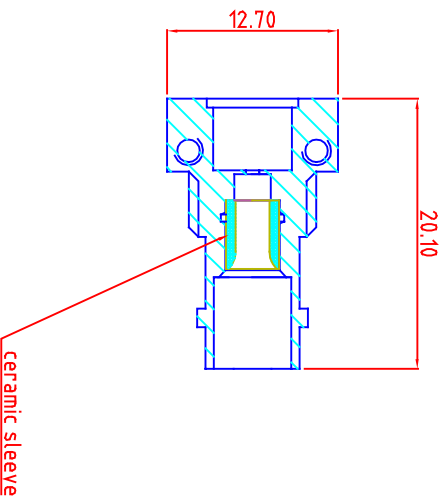
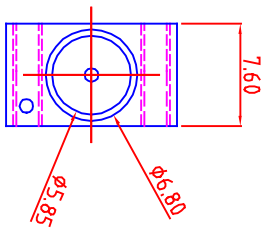




3rd ANG PROJECTION

REV	DESCRIPTION	DATE	APPROVED
1	INITIAL ISSUE	310399	



NOTES:

MATERIAL	CZ121	THIS DOCUMENT CONTAINS PROPRIETARY INFORMATION WHICH SHALL NOT BE REPRODUCED, TRANSMITTED TO OTHER DOCUMENTS, DISCLOSED TO OTHERS USED FOR MANUFACTURING OR ANY OTHER PURPOSE WITHOUT THE WRITTEN AUTHORIZATION OF EUROPLUS FIBRE OPTICS LTD.
FINISH	ELECTROLESS NICKEL	
ICE No:	03236	

DESCRIPTION	ST BULKHEAD/ BOARD MOUNT, RECEPTACLE Single mode
-------------	--

DRAWN		CDD	DATE	310399	SIZE	FILE NAME	0506001	EUROPLUS FIBRE OPTICS Unit 2, Deben Way, Melton, Woodbridge, Suffolk IP12 1RB Tel: 01394 386811 Fax: 01394 380572
CHKD		DJD	DATE		SCALE	2.5:1		
DO NOT SCALE DRAWING								GEN TOLS 0 = +/-0.5 0.0 = +/-0.3 0.00 = +/-0.1
ALL DIMS IN MM UNLESS STATED								DWG No FOA05 06 assy of 1